

### RCCN 日成SKU型半圆紧固夹 Tubing Clamp



产品材质:采用钢制包附耐老化橡胶  
工作温度: -40°C至200°C。

产品特性:软管或线缆等固定。

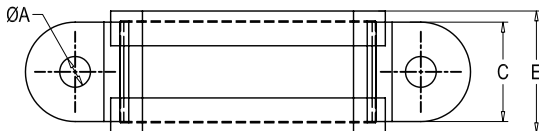
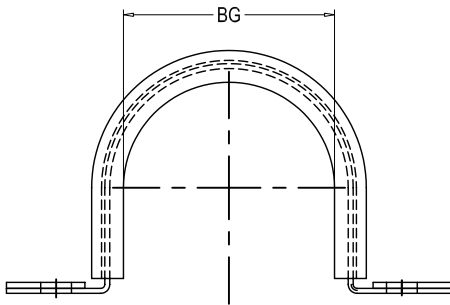
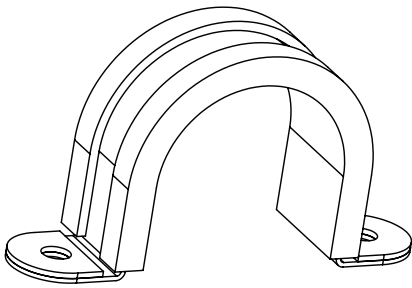
说明:本品特适合户外,高低温环境使用。

采用加厚型电镀和耐老化橡胶包,性能优  
可根据要求开发其它规格,有起订量要求。

Material:Steel coated  
with rubber

Work temperature:-40°C  
to 200°C。

Utility:fix conduits or  
cables Come with MOQ



型号 Item No.		日成软管型号 RCCN Conduit Item no	软管外径 Conduit outer dia AD	螺丝孔 Thread hole A	宽度 Width E/C	厚度 Thickness F	包装 Packing Pcs
冷轧钢镀锌	304材质						
<b>SKU/M4</b>							
SKU BG-07(M4)	SKU BG-07(M4)/304	BG-07	10mm	M4	14/9	0.5	50
SKU BG-10(M4)	SKU BG-10(M4)/304	BG-10	13mm	M4	14/9	0.5	
SKU BG-12(M4)	SKU BG-12(M4)/304	BG-12	15.8mm	M4	14/9	0.5	
SKU BG-15(M4)	SKU BG-15(M4)/304	BG-15	18.5mm	M4	14/9	0.5	
SKU BG-17(M4)	SKU BG-17(M4)/304	BG-17	21.2mm	M4	14/9	0.5	
SKU BG-20(M4)	SKU BG-20(M4)/304	BG-20	25mm	M4	14/9	0.5	25
SKU BG-23(M4)	SKU BG-23(M4)/304	BG-23	28.5mm	M4	14/9	0.5	
SKU BG-25(M4)	SKU BG-25(M4)/304	BG-25	30.0mm	M4	14/9	0.5	
SKU BG-29(M4)	SKU BG-29(M4)/304	BG-29	34.5mm	M4	14/9	0.5	
SKU BG-36(M4)	SKU BG-36(M4)/304	BG-36	42.5mm	M4	14/9	0.5	
SKU BG-48(M4)	SKU BG-48(M4)/304	BG-48	54.5mm	M4	14/9	0.5	
<b>SKU/M6</b>							
SKU BG-07(M6)	SKU BG-07(M6)/304	BG-07	10mm	M6	15/12	0.5	50
SKU BG-10(M6)	SKU BG-10(M6)/304	BG-10	13mm	M6	15/12	0.5	
SKU BG-12(M6)	SKU BG-12(M6)/304	BG-12	15.8mm	M6	15/12	0.5	
SKU BG-15(M6)	SKU BG-15(M6)/304	BG-15	18.5mm	M6	15/12	0.5	
SKU BG-17(M6)	SKU BG-17(M6)/304	BG-17	21.2mm	M6	15/12	0.5	
SKU BG-20(M6)	SKU BG-20(M6)/304	BG-20	25.0mm	M6	15/12	0.5	25
SKU BG-23(M6)	SKU BG-23(M6)/304	BG-23	28.5mm	M6	15/12	0.5	
SKU BG-25(M6)	SKU BG-25(M6)/304	BG-25	30.0mm	M6	15/12	0.5	
SKU BG-29(M6)	SKU BG-29(M6)/304	BG-29	34.5mm	M6	15/12	0.5	
SKU BG-36(M6)	SKU BG-36(M6)/304	BG-36	42.5mm	M6	15/12	0.5	
SKU BG-48(M6)	SKU BG-48(M6)/304	BG-48	54.5mm	M6	15/12	0.5	
<b>SKU/M6D</b>							
SKU BG-07(M6D)	SKU BG-07(M6D)/304	BG-07	10mm	M6	24.5/20	1.0	50
SKU BG-10(M6D)	SKU BG-10(M6D)/304	BG-10	13mm	M6	24.5/20	1.0	
SKU BG-12(M6D)	SKU BG-12(M6D)/304	BG-12	15.8mm	M6	24.5/20	1.0	
SKU BG-15(M6D)	SKU BG-15(M6D)/304	BG-15	18.5mm	M6	24.5/20	1.0	
SKU BG-17(M6D)	SKU BG-17(M6D)/304	BG-17	21.2mm	M6	24.5/20	1.0	
SKU BG-20(M6D)	SKU BG-20(M6D)/304	BG-20	25.0mm	M6	24.5/20	1.0	25
SKU BG-23(M6D)	SKU BG-23(M6D)/304	BG-23	28.5mm	M6	24.5/20	1.0	
SKU BG-25(M6D)	SKU BG-25(M6D)/304	BG-25	30.0mm	M6	24.5/20	1.0	
SKU BG-29(M6D)	SKU BG-29(M6D)/304	BG-29	34.5mm	M6	24.5/20	1.0	
SKU BG-36(M6D)	SKU BG-36(M6D)/304	BG-36	42.5mm	M6	24.5/20	1.0	
SKU BG-48(M6D)	SKU BG-48(M6D)/304	BG-48	54.5mm	M6	24.5/20	1.0	
<b>SKU/M8</b>							
SKU BG-07(M8)	SKU BG-07(M8)/304	BG-07	10mm	M8	24.5/20	1.0	50
SKU BG-10(M8)	SKU BG-10(M8)/304	BG-10	13mm	M8	24.5/20	1.0	
SKU BG-12(M8)	SKU BG-12(M8)/304	BG-12	15.8mm	M8	24.5/20	1.0	
SKU BG-15(M8)	SKU BG-15(M8)/304	BG-15	18.5mm	M8	24.5/20	1.0	
SKU BG-17(M8)	SKU BG-17(M8)/304	BG-17	21.2mm	M8	24.5/20	1.0	
SKU BG-20(M8)	SKU BG-20(M8)/304	BG-20	25.0mm	M8	24.5/20	1.0	25
SKU BG-23(M8)	SKU BG-23(M8)/304	BG-23	28.5mm	M8	24.5/20	1.0	
SKU BG-25(M8)	SKU BG-25(M8)/304	BG-25	30.0mm	M8	24.5/20	1.0	
SKU BG-29(M8)	SKU BG-29(M8)/304	BG-29	34.5mm	M8	24.5/20	1.0	
SKU BG-36(M8)	SKU BG-36(M8)/304	BG-36	42.5mm	M8	24.5/20	1.0	
SKU BG-48(M8)	SKU BG-48(M8)/304	BG-48	54.5mm	M8	24.5/20	1.0	
<b>SKU/M10</b>							
SKU BG-07(M10)	SKU BG-07(M10)/304	BG-07	10mm	M10	30/25	1.0	50
SKU BG-10(M10)	SKU BG-10(M10)/304	BG-10	13mm	M10	30/25	1.0	
SKU BG-12(M10)	SKU BG-12(M10)/304	BG-12	15.8mm	M10	30/25	1.0	
SKU BG-15(M10)	SKU BG-15(M10)/304	BG-15	18.5mm	M10	30/25	1.0	
SKU BG-17(M10)	SKU BG-17(M10)/304	BG-17	21.2mm	M10	30/25	1.0	
SKU BG-20(M10)	SKU BG-20(M10)/304	BG-20	25.0mm	M10	30/25	1.0	25
SKU BG-23(M10)	SKU BG-23(M10)/304	BG-23	28.5mm	M10	30/25	1.0	
SKU BG-25(M10)	SKU BG-25(M10)/304	BG-25	30.0mm	M10	30/25	1.0	
SKU BG-29(M10)	SKU BG-29(M10)/304	BG-29	34.5mm	M10	30/25	1.0	
SKU BG-36(M10)	SKU BG-36(M10)/304	BG-36	42.5mm	M10	30/25	1.0	
SKU BG-48(M10)	SKU BG-48(M10)/304	BG-48	54.5mm	M10	30/25	1.0	
SKU BG-70(M10)	SKU BG-70(M10)/304	BG-67	70.0mm	M10	30/25	1.0	